

## Shredder Applications

Specifically designed for high shock load and severe duty applications such as E-Waste Reduction, Truck Tires, OTR Tires, Magnesium Castings, Municipal/Industrial Waste, Hazardous Waste, Pallets, Wood Waste, Copper and Steel Wire and Cable, Scrap Aluminum, High Volume Production Processing etc.

## Standard Features

**Cutting Chamber** | The ST-500H shredders are available in three large cutting chamber sizes.

**Drive System** | The ST-500H shredders offer electric/hydraulic and diesel/hydraulic drive systems. Power units range in horsepower from 200 HP to 1,000 HP. High-torque, multi-cam, radial piston hydraulic motors are available in single or dual configurations. Shred-Tech's superior closed loop hydraulic drive systems allow for knife tip cutting forces in excess of 237,000 lbs.

**Knives** | Shred-Tech Engineers design each knife profile and configuration to suit the material for maximum throughputs and optimum shred size.

**Control System** | The ST-500H control panel, designed by certified Shred-Tech technicians, features illuminated function buttons, keyed power switch, fused lockable disconnect, hour meter and a programmable logic controller for shredder functions including knife reversal overload.

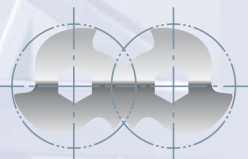
**Hopper and Stands** | Quality is evident in the workmanship of Shred-Tech's extra heavy duty stand and hopper. as an option, the stand and hopper can be modified to suit the application or installation.

**Hex Shafts** | The unique design of the machined hex shafts maximizes knife placement options and allows for easy knife removal and machine maintenance. Size or size the hex shaft is several times stronger than a keyed shaft. The Shred-Tech hex shaft drive system offers the highest knife tip force of any equivalent shredder on the market.

**Maintenance** | Several design refinements incorporated into the ST-500H. The removable fingers from the hopper side, the sleeved bearings and the design of the hexed hafts facilitate ease of parts removal. The hopper mounting is configured to permit shredder disassembly without hopper removal. A Shred-Tech proprietary torque setting mechanism provides easy knife-stack tightening.

## Optional Features

**PLC Interfacing for Peripheral Equipment** | **Custom Stand and Hopper** | **Pneumatic or Hydraulic Ram** | **Vibrating, Magnetic or Rotary Separation** | **Feed and Discharge Conveyors** | **Reduced Voltage Starters** | **Reduced Voltage Starters** | **Trailer Mounted Boom Crane and Working Platform** | **Explosion Proof Motors** | **Modem Capabilities**



**SHRED-TECH**



## ST-500H

Transportable shredding system c/w Crane and Grapple.

### Modular Hydraulic Drive System

Shred-Tech Shredders have been engineered with exceptionally high mechanical safety factors to generate high knife tip cutting forces without the use of gear reduction. In applications where high shock loading is inevitable, such as in metal reduction, it is recommended that hydraulic drives be used to power a shorter more rigid shredder. If the application is to reduce large quantities of truck tires, where shock loading is not a factor but speed and throughput is, then the hydraulic drive can be coupled to a shredder with a longer cutting chamber. The ability to correlate shredder cutting chamber sizes with a variety of hydraulic power units provides the customer with a machine designed to best suit the application.

### Hydraulic Features

**Multi Cam Radial Piston Motors | Closed Loop Design | Variable Displacement Pumps  
5,000 PSI Operating Pressure | Ability to maintain maximum knife tip force by  
adjusting speeds | Capable of extra high starting torque under any load condition  
Modular hydraulic power packs engineered to meet customer's application requirements  
Diesel or Electric Hydraulic Drives | Stationary and Mobile Capabilities  
High shock manifolds and accumulators for severe applications**

### ST-500H

Shredding scrap electronic hardware, Chicago IL.

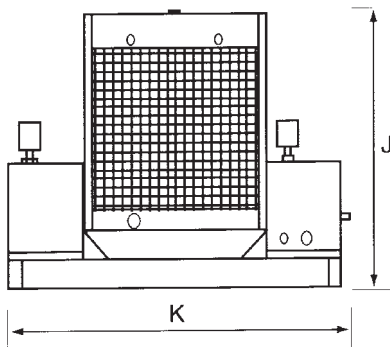


### ST-500H

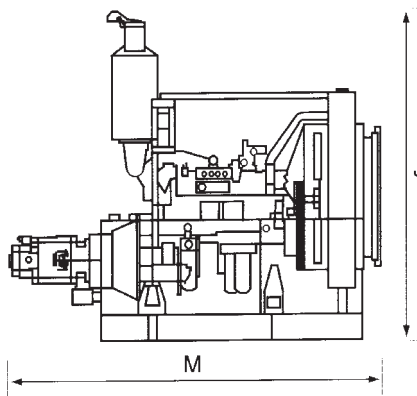
Shredding bulky industrial and municipal wastes, Isle of Jersey, UK.



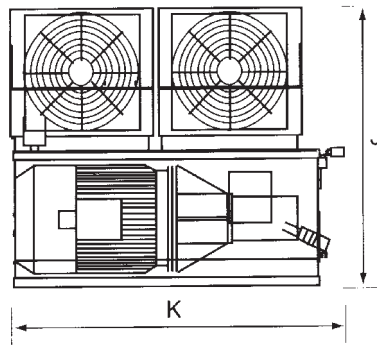
## SHRED-TECH Hydraulic Power Units



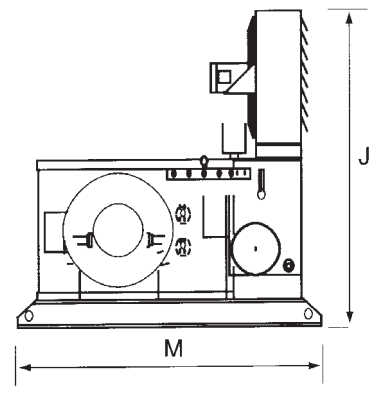
*Diesel/Hydraulic Power Unit*



*Diesel/Hydraulic Power Unit*



*Electric/Hydraulic Power Unit*



*Electric/Hydraulic Power Unit*

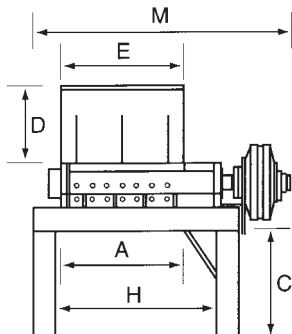
## TECHNICAL SPECIFICATIONS

Power Units	Electrical/Hydraulic	Diesel/Hydraulic	
System Type	Closed Loop	Closed Loop	
H.P. Range	200 - 600	500 - 1,000	
Pump Type	Variable Displacement Piston Pump	Variable Displacement Piston Pump	
Maximum Pressure	5,000 PSI	5,000 PSI	
Pump Size Range (in <sup>3</sup> )	14 - 60	14 - 49.2	
Unit Height	J	90" (max.)	92"*
Unit Width	K	94" (max.)	93"*
Unit Length	M	130" (max.)	111"*
Unit Weight (lbs.)		10,000" (wet)	13,000 (wet)
Floor Space (sq. ft.)	K x M	85" (max.)	72"*
			*approximate

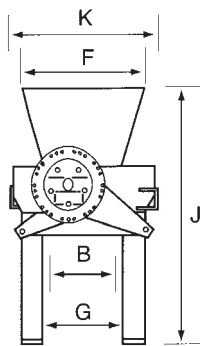
Shred-Tech's customized hydraulic design absorbs high shock loads created during high volume metals reduction

# SHRED-TECH

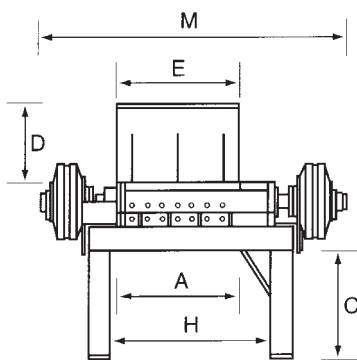
# ST-500 SHREDDER



ST-500H Single Drive



ST-500H Single/Dual Drive

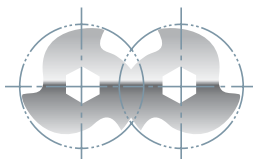


ST-500H Dual Drive

## TECHNICAL SPECIFICATIONS

Shredder	ST-500HS	ST-500H	ST-500HL
Drive	Hydraulic	Hydraulic	Hydraulic
Number of Motors	one or two	one or two	one or two
Motor Type	Radial Piston	Radial Piston	Radial Piston
Power Unit	Diesel or Electric	Diesel or Electric	Diesel or Electric
Knife Thickness	2 3/4" 1 7/8" 1 1/2"	1 7/8" 2 3/4" 1 1/2"	2 3/4" 1 7/8" 1 1/2"
Number of Knives	17 24 31	32 41 22	55 44 30
Knife Diameter	22 3/4"	22 3/4"	22 3/4"
Hex Shaft Diameter	8"	8"	8"
Distance Between Shafts	17"	17"	17"
Cutting Chamber A x B	60" x 43"	75" x 43"	96" x 43"
Discharge Height C	40"	40"	40"
Hopper Height D	39 3/8"	39 3/8"	39 3/8"
Hopper Opening E x F	68 x 69"	93 x 69"	115 x 69"
Stand Opening G	47 1/2"	47 1/2"	47 1/2"
Stand Opening H	123"	123"	123"
M/C Height J	154"	154"	154"
M/C Width K	93 1/4"	93 1/4"	93 1/4"
M/C Length M	143" 168"	158" 185"	170" 207"
M/C Weight (lbs)	31,250 35,500	33,450 37,700	42,000 46,000
Floor Space (sq. ft.)K x M	93 109	102 120	110 134

WORLD LEADER IN REDUCTION ENGINEERING AND MANUFACTURING



## SHRED-TECH

*world leaders.*

All Shred-Tech Shredders are available under US Federal Supply Contract. © All rights reserved. Shred-Tech and Shred-Tech logo are registered trade-marks of Shred-Tech.