

Shredder Applications

Steel Drums, Auto Tires, Castings, Municipal/Industrial Waste, Medical/Hazardous Waste, Pallets, Wood Waste, High Volume Production Processing, Industrial Plastics, Bulk Paper Reproduction, Auto & Light Truck Tires, Consumer Electronics, etc.

Standard Features

Cutting Chamber | The ST-100 shredders have cutting chamber sizes of 60 1/2" X 32" and 45" X 32", suitable for the loading of bulky wastes. Bulkheads eliminate the migration of debris into seals and bearings thus increasing overall shredder durability.

Drive System | This machine features electric, gear reduced drives or hydraulic drives. The electric model has two 30, 40 or 50 HP motors. The hydraulic model is equipped with high torque, low speed, multi-cam, radial piston motors and optional 100 & 150 HP power units. A common bull gear provides maximum transfer of power from both motors to either shaft for optimum efficiency.

Knives | Shred-Tech Engineers design each knife profile and configuration to suit the material for maximum throughputs and optimum shred size.

Control Panel | The ST-100 Control Panel, designed and fabricated by certified Shred-Tech technicians, features illuminated function buttons, keyed power switch, fused lockable disconnect, hour meter and programmable logic control for shredder functions including knife reversal on overload.

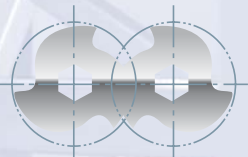
Hopper and Stands | Quality is evident in the workmanship of Shred-Tech's extra heavy-duty stand and hopper. As an option, the stand and hopper can be modified to suit the application or installation.

Hex Shafts | The unique design of the machined hex shafts maximizes knife placement options and allows for easy knife removal and machine maintenance. Size for size the hex shaft is several times stronger than a keyed shaft. The Shred-Tech hex shaft drive system offers the highest knife tip force of any equivalent shredder on the market.

Maintenance | Several design refinements have been incorporated into the ST-100. The removable fingers from the hopper side, the sleeved bearings and the design of the hexed shafts facilitate ease of parts removal. The hopper mounting is configured to permit shredder disassembly without hopper removal. A Shred-Tech proprietary torque setting mechanism provides easy knife-stacking tightening.

Optional Features

PLC Interfacing for Peripheral Equipment | Custom Stand and Hopper | Pneumatic or Hydraulic Ram | Trailer Mounted | Vibrating, Magnetic or Rotary Separation Feed and Discharge Conveyors | Reduced Voltage Starters | Modem Capabilities Boom Crane and Working Platform | Nitrogen Blanketing | Explosion Proof Motors



SHRED-TECH

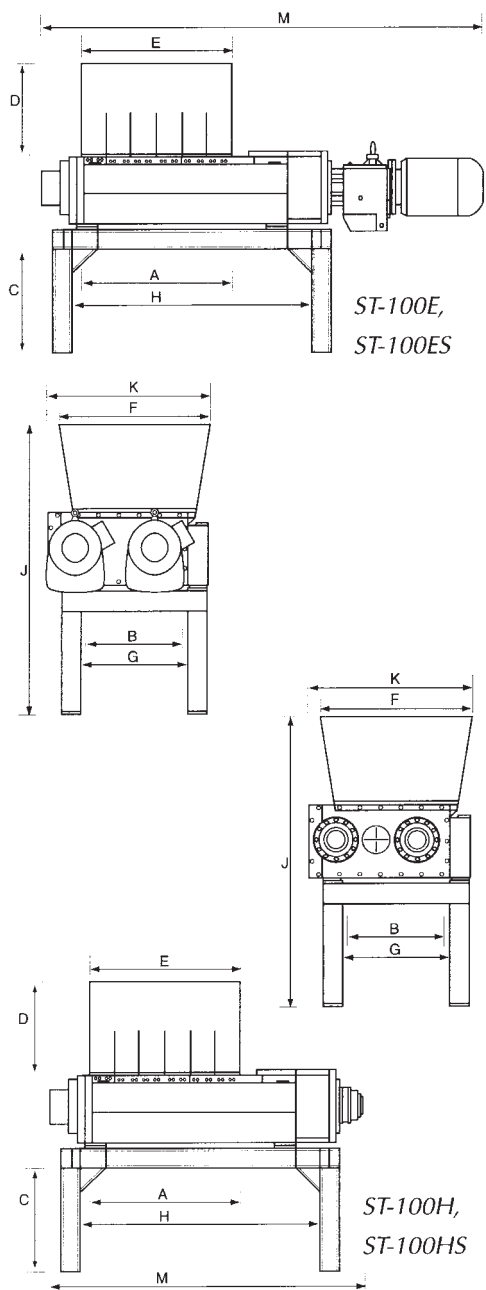


ST-100

Shredder and feed conveyor processing spent military munitions.

SHRED-TECH

ST-100 SHREDDER



TECHNICAL SPECIFICATIONS

| Shredder | ST-100E | ST-100H | ST-100ES | ST-100HS |
|-------------------------|----------------------|----------------------|----------------------|----------------------|
| Drive | Electric | Hydraulic | Electric | Hydraulic |
| Number of Motors | two | two | two | two |
| HP Range | 60-100 | 100-150 | 60-100 | 100-150 |
| Voltage - 3 Phase | 208-600 | 208-600 | 208-600 | 208-600 |
| Cycle | 50/60 | 50/60 | 50/60 | 50/60 |
| Knife Thickness | 1 1/2" 1 7/8" 2 1/2" | 1 1/2" 1 7/8" 2 1/2" | 1 1/2" 1 7/8" 2 1/2" | 1 1/2" 1 7/8" 2 1/2" |
| Number of Knives | 40 32 24 | 40 32 24 | 30 24 18 | 30 24 18 |
| Knife Diameter | 16 1/4" | 16 1/4" | 16 1/4" | 16 1/4" |
| Hex Size | 5 3/8" | 5 3/8" | 5 3/8" | 5 3/8" |
| Distance Between Shafts | 12 1/8" | 12 1/8" | 12 1/8" | 12 1/8" |
| Cutting Chamber A x B | 60 1/2" x 32" | 60 1/2" x 32" | 45" x 32" | 45" x 32" |
| Discharge Height C | 43" | 43" | 43" | 43" |
| Hopper Height D | 37" | 37" | 37" | 37" |
| Hopper Opening E x F | 60" x 54" | 60" x 54" | 45" x 54" | 45" x 54" |
| Stand Opening G | 33" | 33" | 33" | 33" |
| Stand Opening H | 93" | 93" | 78" | 78" |
| M/C Height J | 110" | 110" | 110" | 110" |
| M/C Width K | 57" | 57" | 57" | 57" |
| M/C Length M | 157" | 122" | 142" | 107" |
| M/C Weight (lbs) | 18,700 | 16,300 | 16,900 | 14,500 |
| Floor Space (sq. ft.) | 62 | 48 | 56 | 42 |

WORLD LEADER IN REDUCTION ENGINEERING AND MANUFACTURING



SHRED-TECH

world leaders.

All Shred-Tech Shredders are available under US Federal Supply Contract. © All rights reserved. Shred-Tech and Shred-Tech logo are registered trade-marks of Shred-Tech.