



## ★ Container Specifications ★

### RH Container Models

MODEL #		RATED CAPACITY
RH0836	-	6.5 Cubic Yard
RH0842	-	7.6 Cubic Yard
RH0848	-	8.7 Cubic Yard
RH0854	-	9.8 Cubic Yard
RH0860	-	10.8 Cubic Yard

RH1036	-	8.1 Cubic Yard
RH1042	-	9.5 Cubic Yard
RH1048	-	10.9 Cubic Yard
RH1054	-	12.2 Cubic Yard
RH1060	-	13.6 Cubic Yard

RH1236	-	10 Cubic Yard
RH1242	-	12 Cubic Yard
RH1248	-	13 Cubic Yard
RH1254	-	15 Cubic Yard
RH1260	-	16 Cubic Yard

RH1436	-	12 Cubic Yard
RH1442	-	13 Cubic Yard
RH1448	-	15 Cubic Yard
RH1454	-	17 Cubic Yard
RH1460	-	19 Cubic Yard

RH1636	-	13 Cubic Yard
RH1642	-	15 Cubic Yard
RH1648	-	17 Cubic Yard
RH1654	-	20 Cubic Yard
RH1660	-	22 Cubic Yard



**Model RH Small Hook-Lift Container**  
(For 9,000# to 13,000# Hook Hoists)

### Standard Specifications

Floor .....	10 Gauge
Long Sills .....	4" x 2" x 3/16" w/ 1/4" x 2" Wear Strip
Crossmembers .....	3" Channel On 24" Centers
Rub Rail .....	10 Gauge Formed
Sides .....	14 Gauge (10 Gauge & 12 Gauge Optional)
Side Stakes .....	12 Gauge On 36" Centers
Top Cap .....	14 Gauge Formed
Tarp Holders .....	"J" Hooks
Door .....	14 Gauge
Latch .....	Cam Style w/ Door Guide
Door Brace .....	12 Gauge
Front .....	14 Gauge
A-Frame .....	6" Channel Welded Solid
Paint .....	Any Standard Galbreath Color

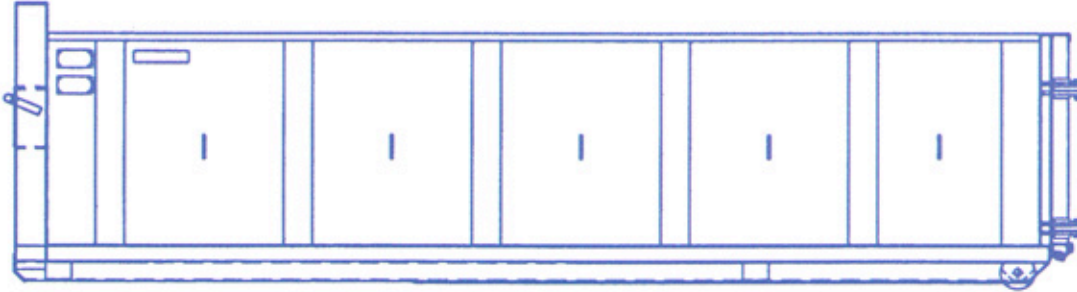
### Options

- 7 Gauge Floor In Lieu Of 10 Gauge
- 10 Gauge Sides In Lieu Of 14 Gauge
- 12 Gauge Sides In Lieu Of 14 Gauge
- Barn Doors In Lieu Of Standard
- Top Hinged Rear Door In Lieu Of Standard
- 2" x 3" x 1/8" Tube Top Cap

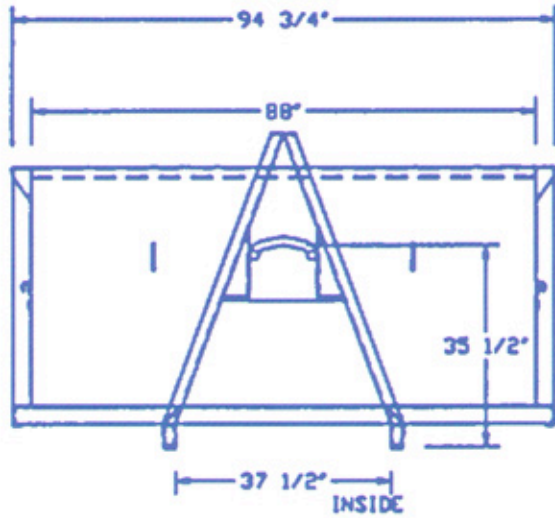
~ 8 Foot & 10 Foot Long Containers Can Only Be Used With 9,000# Hook Hoist Model U9-HK ~  
~ Other Sizes Available Upon Request ~

**See Reverse Side For Dimensional Drawings**

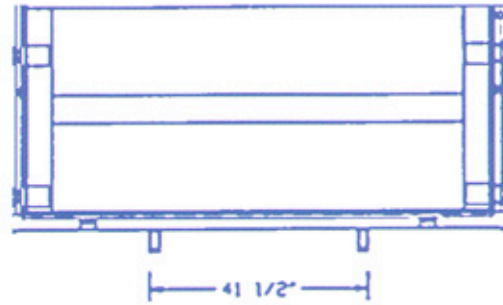
## Model RH Small Hook-Lift Container



*Side View*



*A-Frame End View*



*End View*

*For Additional  
Information  
Contact:*

**1-800-464-3095**

DEALER