

# EPS Foam Densification System

Loose EPS Foam  
truckload weights of  
2,000 lbs.\*



Baled EPS Foam  
truckload weights of  
6,000 lbs.\*

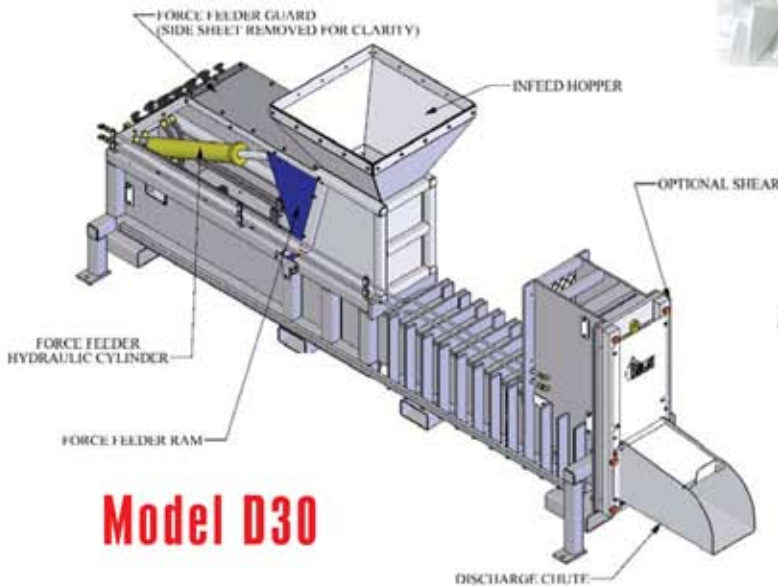


Densified EPS Foam truckload weights up to 40,000 lbs. \*

- Reduced handling costs and storage requirements
- Eliminates pentane gas dangers
- Up to 300 lbs per hour with 1.5# EPS
- Superior performance
- Minimal maintenance
- 15 to 22 lbs per cubic foot



\* Truckload weights listed are approximate



**Model D30**



Working together to provide  
complete  
waste and recycle processing solutions

**1-800-464-3095**



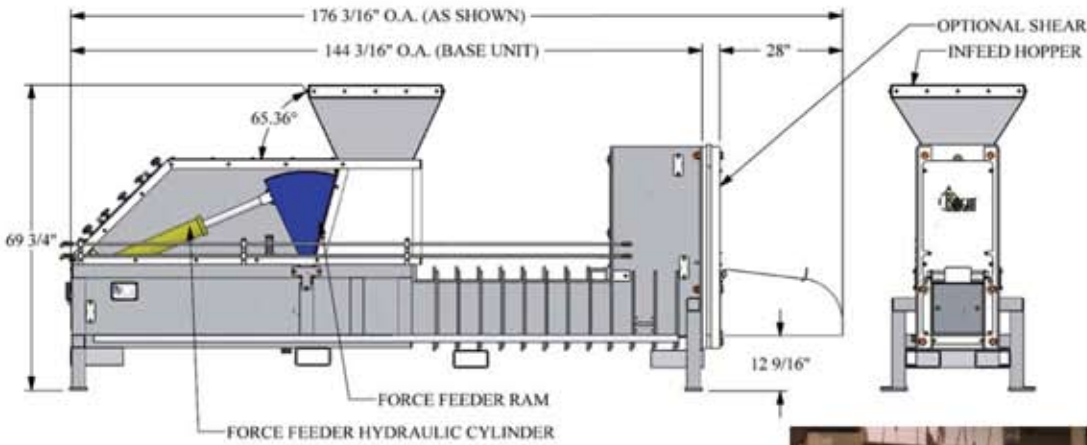
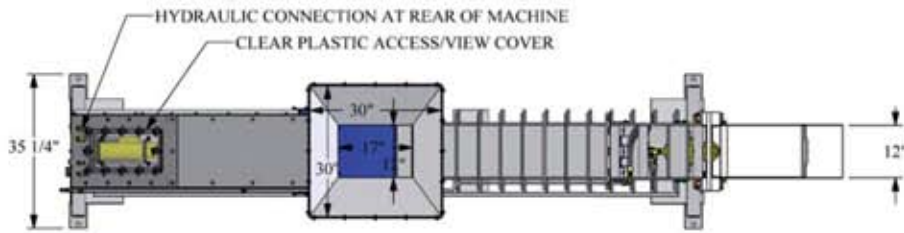
**The Densification Specialists**

**Sebright**

Stationary Compactors  
Self-contained Compactors  
Precrushers  
Hydraulic Cart Dumpers, Custom Carts and Containers

Bright

Belt Filter Presses  
High Density Extruders  
Xtractors  
EPS Foam Densifiers



Ship This



Or Ship This



Chamber Volume	Motor	Cylinder	Ram Force	Total Force
.22 cu yards	15 HP	(1) 6" Diameter	490 PSI	71,000 lbs.
Feed Capacity w/1.5# EPS	Volume Compaction Ratio	Output Density	Machine Weight	Power Unit Weight
300 lbs. per hour	Up to 50:1	15-22 lbs./ft <sup>3</sup>	3,700 lbs.	1,250 lbs.

**Available options include:**

- elevation stands
- blower systems
- automated block shears
- discharge snout extensions
- customized EPS Foam pre-breakers
- bag house assemblies

Due to product improvements, the manufacturer reserves the right to alter or amend, without notice, any of these specifications and/or dimensions.

All machines and accessories are primer coated and finish painted. Standard color chart available upon request.

© Sebright Products, Inc. 2008



WASTEC  
Waste Equipment Technology Association  
Member

