

FOAM DENSIFIER FD-25

PRODUCT SHEET



FEATURES:

- ▶ The FD-25 can densify three main types of foam - polystyrene, polyethylene and polypropylene.
- ▶ This FD-25 can process between 200-300 lbs per hour of loose foam depending on the foam type.
- ▶ Size reduction of the foam is approximately between 60 to 1 and up to 80 to 1.

BENEFITS:

- ▶ Recycling to help save our environment.
- ▶ Removal of foam from the waste stream, saving waste hauling and landfill costs.
- ▶ Revenue generation by creating a marketable product for recycling.

OPTIONAL FEATURES:

- ▶ Photo-eye for automatic shut-off
- ▶ Exhaust Vent Kit

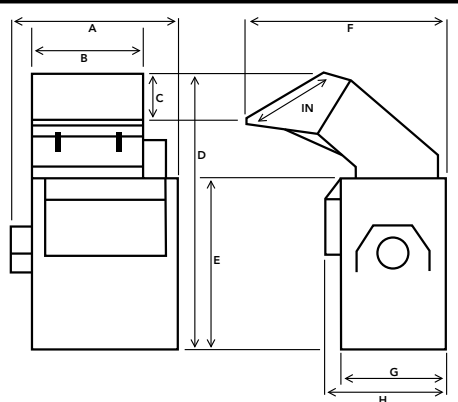
The FD-25 has passed rigorous air quality testing for health and environmental safety. It comes with a one-year warranty on all parts and services, with a loaner program available in the event that your machine is out of service.

avangardinnovative

PROVIDING SUSTAINABLE SOLUTIONS FOR A BETTER TOMORROW

www.avaicg.com





FD-25 Measurement								
Dim.	A	B	C	D	E	F	G	H
Inch	49.2	25.2	11.8	68.1	43.3	58.3	25.6	31.9
Feed Opening: 25.2" x 27.5"								
Models	Motor	Power	Weight	Capacity Per Hour				
FD-25	25 HP	460v 3ph	1595 lbs	200-300 lbs				



www.avaicg.com

For more information contact a sales representative:
 Avangard Innovative, 11906 Brittmoore Park Drive, Houston, Texas 77041
 Phone: 281.582.0700 | Fax: 281.582.0799 | Email: equipment@avaicg.com

Printed on recycled paper